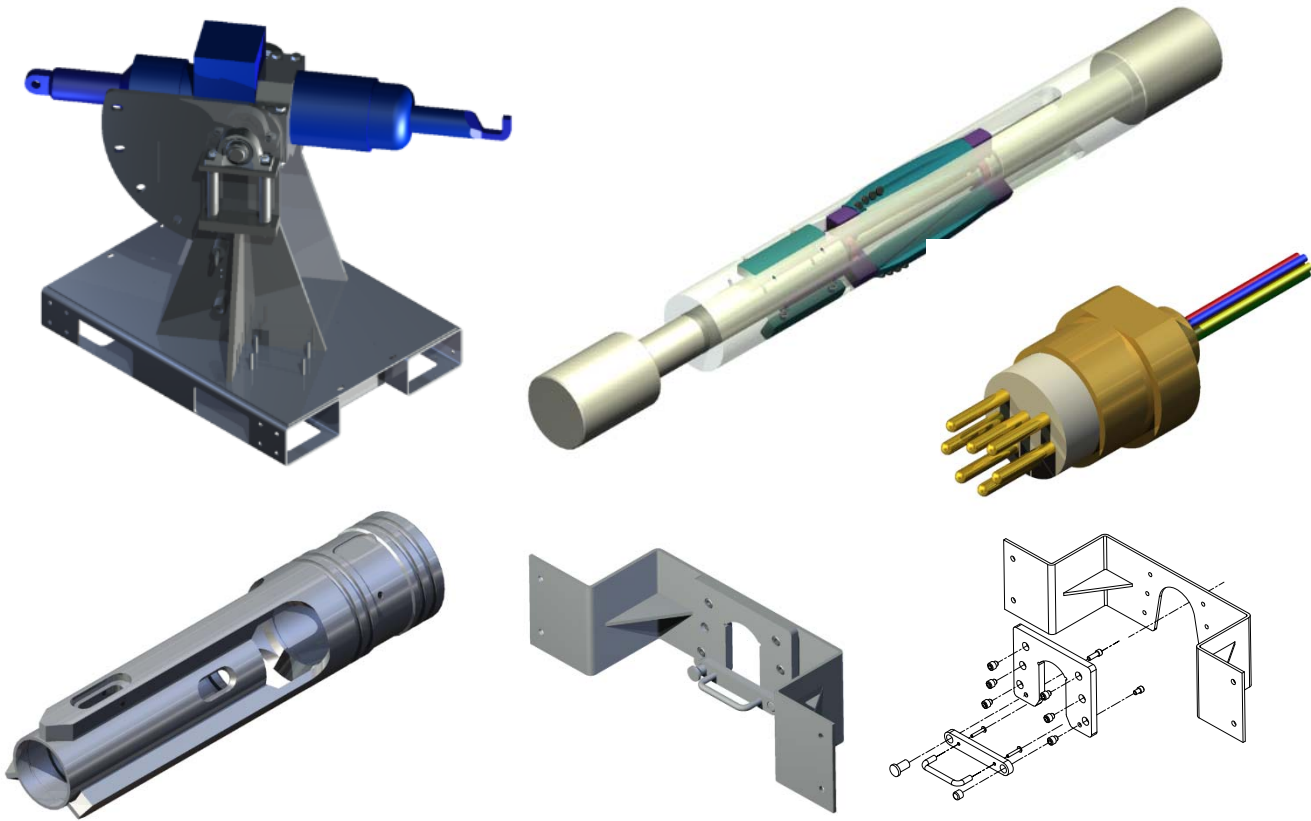


Solutions Engineering

Client Focused & Effective



Q: Do you have a difficult problem that could be solved using the help of a knowledgeable and experienced resource?

A: Stag Energy Solutions works with clients that do not have in-house design, engineering, or manufacturing experience. We work hard to provide solutions to your biggest pain points.

Specializing in custom engineered technical products, solutions and engineering services tailored to the needs of clients operating in the petroleum industry, we use the latest design tools and techniques along with exceptional hands-on experience to provide innovative and cost effective solutions. Continuous conversations with clients help us to identify points of pain during the process of driving towards a solution; we ask the proper questions to get the right fit for the client.

Services Offered

- Engineering analysis.
- R&D and product development.
- Failure analysis.
- Design and drafting.
- Electrical connectors.
- 3D modelling.
- Part procurement.
- And more...

We worry about solving the tough problems so you don't have to. Contact us to discuss your current challenges and how a customized engineered solution could add value to your company.



www.stagenergysolutions.com | 403-992-7824